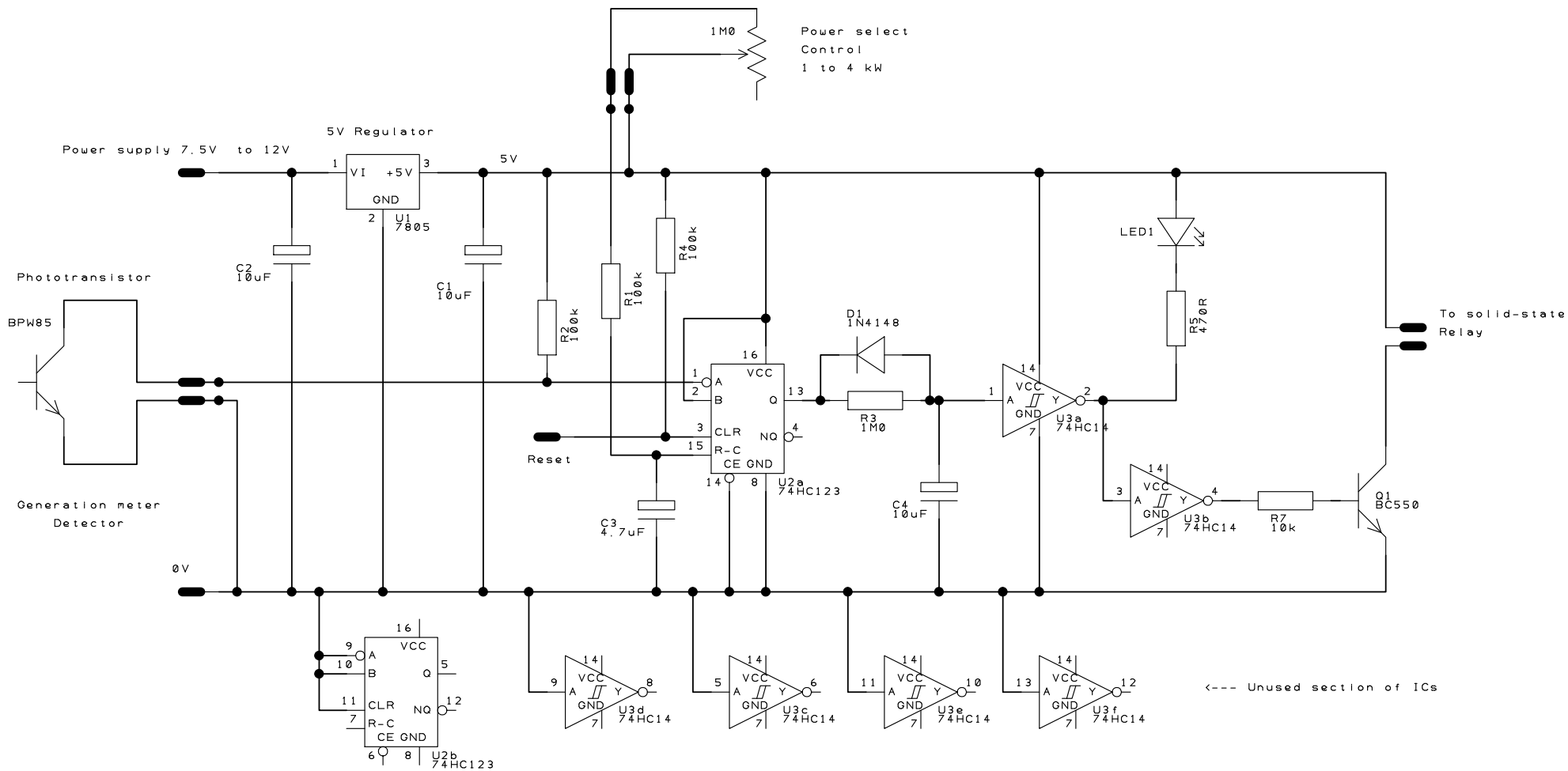


Circuit to detect LED output on Generation Meter



<--- Unused section of ICs